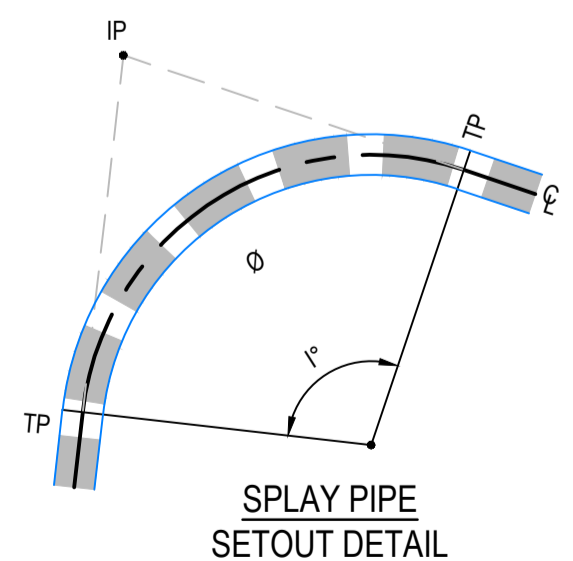


LEGEND - LAYOUT PLAN
ALL PROPOSED, FUTURE & EXISTING SERVICE LOCATIONS ARE SHOWN INDICATIVELY

	STORMWATER DRAIN, PIT & PROPERTY INLET
	MAIN DRAIN
	SWALE DRAIN
	SEWER & MAINTENANCE STRUCTURES
	HOUSE DRAIN
	ELECTRICITY (U.GROUND)
	ELECTRICITY (O.HEAD)
	GAS
	TELSTRA
	OPTIC FIBRE
	WATER
	RECYCLE WATER
	AG. DRAIN
	SERVICE CONDUITS
	TACTILE PAVERS
	EXISTING STORMWATER DRAIN
	EXISTING MAIN DRAIN
	EXISTING SWALE DRAIN
	EXISTING SEWER & MAINTENANCE STRUCTURES
	EXISTING HOUSE DRAIN
	EXISTING ELECTRICITY (UNDER GROUND)
	EXISTING ELECTRICITY OVERHEAD
	EXISTING GAS
	EXISTING TELSTRA
	EXISTING OPTIC FIBRE
	EXISTING WATER
	EXISTING RECYCLED WATER
	EXISTING AG. DRAIN
	EXISTING SERVICE CONDUITS
	EXISTING TACTILE PAVERS
	FUTURE STORMWATER DRAIN
	FUTURE MAIN DRAIN
	FUTURE SWALE DRAIN
	FUTURE SEWER & MAINTENANCE STRUCTURES
	FUTURE HOUSE DRAIN
	FUTURE ELECTRICITY (UNDER GROUND)
	FUTURE ELECTRICITY OVERHEAD
	FUTURE GAS
	FUTURE TELSTRA
	FUTURE OPTIC FIBRE
	FUTURE WATER
	FUTURE RECYCLED WATER
	FUTURE AG. DRAIN
	FUTURE SERVICE CONDUITS
	FUTURE TACTILE PAVERS
	ZERO LOT LINES
	141.34 FINISHED SURFACE LEVEL
	FS140.35 FINISHED BUILDING LINE LEVEL
	FR157.40 FINISHED RIDGE LINE LEVEL
	CH270.00 CHAINAGE
	TW159.60 TOP OF RETAINING WALL LEVEL
	BW159.00 BOTTOM OF RETAINING WALL LEVEL
	EXISTING RETAINING WALL
	RETAINING WALL
	FUTURE RETAINING WALL
	STRUCTURAL FILL > 200mm DEEP
	EXISTING STRUCTURAL FILL > 200mm DEEP
	CUT > 200mm DEEP
	DIRECTION OF FALL
	OVERLAND FLOW
	GRADED IN DIRECTION OF FALL TO LEVEL INDICATED
	EDGE STRIP, SUBSOIL DRAIN, "NO ROAD" SIGN & BARRIER
	EXISTING TREE TO BE RETAINED
	EXISTING TREE TO BE REMOVED
	PERMANENT SURVEY MARK
	TEMPORARY BENCH MARK
	PROPOSED DRIVEWAY & FOOTPATH
	PROPOSED INDUSTRIAL DRIVEWAY
	PROPOSED SHARED FOOTPATH
	PROPOSED ROAD PAVING
	EXISTING ROAD PAVING



SPLAY PIPE INFORMATION

SPLAY #	CENTRE RADIUS (m)	ARC LENGTH (m)	TANGENT LENGTH (m)	I°	EASTING	NORTHING
A-B	33.7	20.328	10.484	29.49°	323319.92	5844150.81

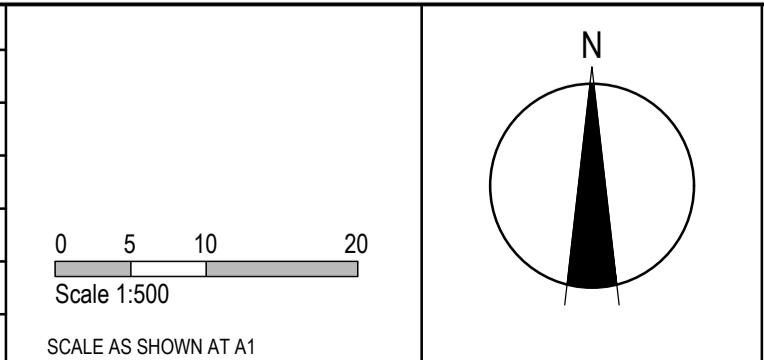
WARNING
EXISTING 3240 AND 4080 APA GAS TRANSMISSION PIPELINES IN VICINITY OF WORKS. CONTRACTOR TO REFER TO APA CONDITIONS, WRITTEN APPROVAL FROM APA IS REQUIRED FOR ANY WORKS WITHIN THE GAS TRANSMISSION EASEMENT.

WARNING
BEWARE OF UNDERGROUND SERVICES
The locations of underground services are approximate only and their exact position should be proven on site. No guarantee is given that all existing services are shown. Locate all underground services before commencement of works **DIAL 1100 BEFORE YOU DIG**.
www.1100.com.au

REV	DATE	AMENDMENT / REVISION DESCRIPTION	DES/DT	APPROVAL
0	20.11.20	ISSUED FOR CONSTRUCTION	MA/EB	AB

ISSUED FOR CONSTRUCTION

TITLE	NAME
DRAFTER	M.Angay
DESIGNER	M.Angay
CHECKED	K.Moore
AUTHORISED	A.Burrows
REFERENCE No. 1	
REFERENCE No. 2	



SMEC
Member of the Surlana Jurong Group
ABN 47 065 475 149
Collins Square, Tower 4, Level 20, 727 Collins St
Melbourne, VIC 3008
Ph 03 9514 1500

mirvac

MELWAYS REF 8 M2	PROJECT / DRAWING No. 1700E-13-02	SHEET No. 02 of 19	REVISION 0
----------------------------	---------------------------------------------	------------------------------	----------------------